

Figure 1: Circuitikz example: same circuit generated from two different code variants

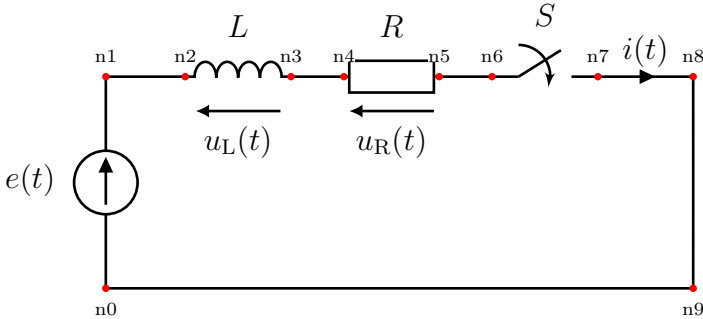


Figure 2: Circuitikz example with nodes

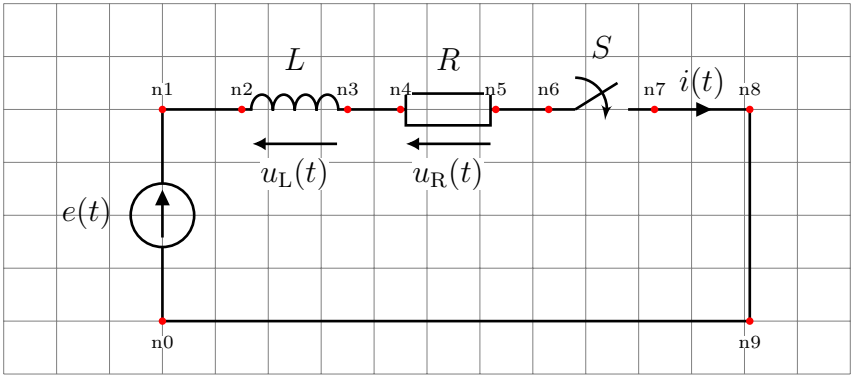


Figure 3: Circuitikz example with nodes and grid