

Generating PDF Figures from TikZ Code – Use Case

Marcin Szewczyk

April 2, 2026

Example of including graphics from PDF files generated from TikZ code: Fig. 1, 2, 3.

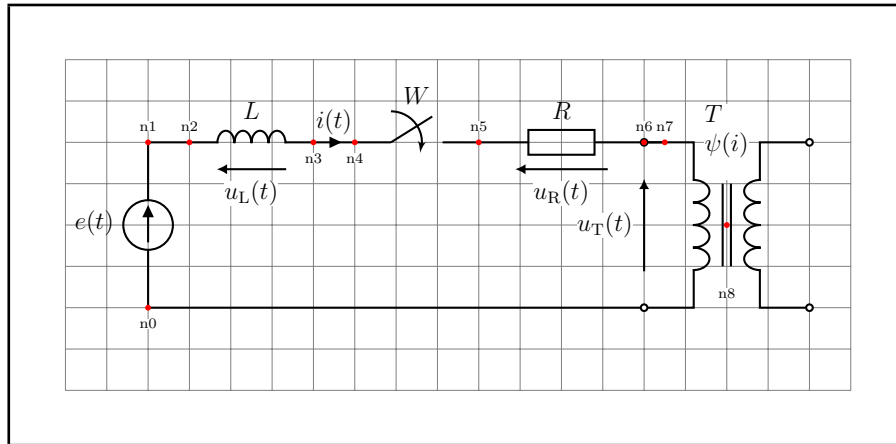


Fig. 1: PDF file with grid and nodes

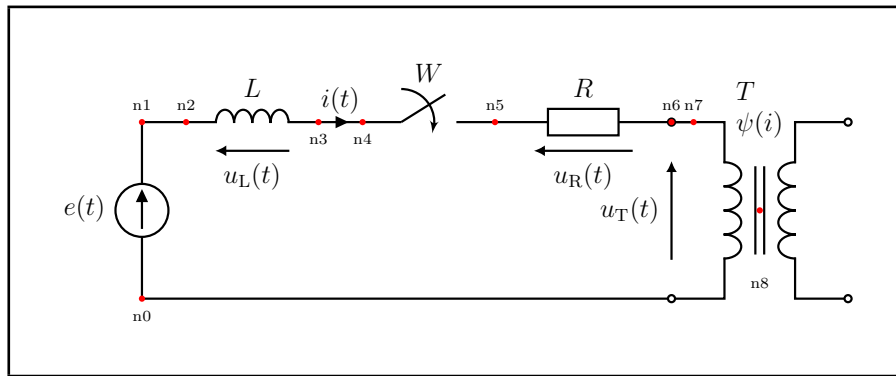


Fig. 2: PDF file with nodes

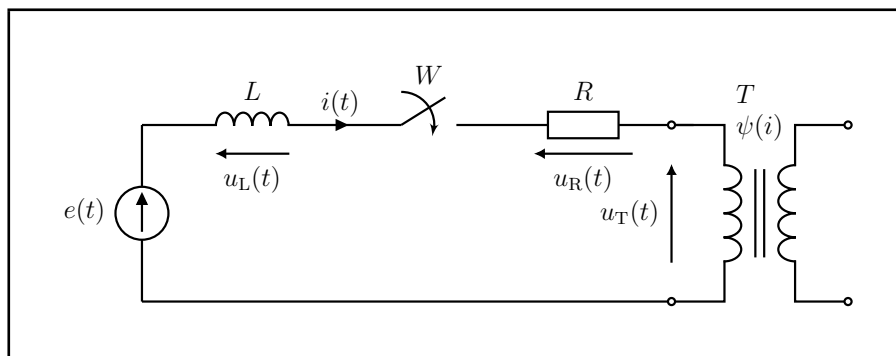


Fig. 3: Final PDF